

## GENERAL INFORMATION

Project Name: \_\_\_\_\_

Item: \_\_\_\_\_

Quantity: \_\_\_\_\_

Model: DECO-804-N

Length: \_\_\_\_\_

## STANDARD NSF LISTED FINISH OPTIONS

- Stainless Steel #4
- Chrome
- Gloss Black
- Wrinkle Black
- Smoked Copper
- Polished Brass Finish
- Other \_\_\_\_\_

## TUBE OPTIONS

- 1-1/2" Round (standard)
- 1" Round
- 1" Square
- 1-1/2" Square

## GLASS THICKNESS

- 1/4" Tempered Glass (not for shelves)  
Centerline Max 54"
- 3/8" Tempered Glass (standard) (for shelf or span  
more than 54") Centerline Max 66"
- 1/2" Tempered Glass (for shelf or span more than  
66") Centerline Max 72"

## GLASS PANEL OPTIONS

- Full Perimeter Channel

## TOP SHELF OPTIONS

- 1/2" Tempered Glass
- 3/8" Tempered Glass
- #8 Mirror Polished Brass
- Stainless:  #4 Brushed  #8 Mirror Polished
- Powder Coated  Color \_\_\_\_\_
- Solid Surface  Material \_\_\_\_\_

## INSTALLATION OPTIONS

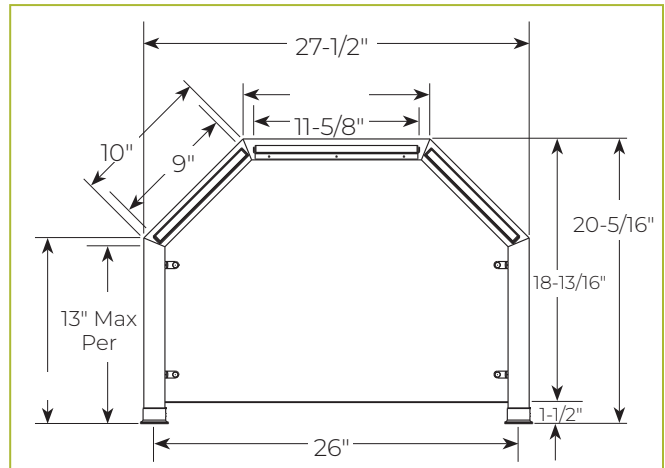
- Above-Counter:** Round Tube
  - Narrow Flange
  - Round Flange
- Above-Counter:** Square Tube
- Under-Counter:** Round Tube
- Under-Counter:** Square Tube

See installation pages for more information.

Approval drawings required.  
Specifications subject to change without notice.

## DECO-804-N

### Self-Serve Double-Sided Food Shield



To meet NSF guidelines, end panels are included on all BSI quotations unless specifically excluded.

*Ships fully assembled.*

## LIGHT AND WARMER OPTIONS

- 2580 Slimline LED Light
- 790 Stealth Warmer Unit
- 705 Stealth Light/Warmer Combo Unit
- 500 Stealth Heat/Light/Heat Combo Unit

Structural enhancements or mounting might be required to support heat light options.